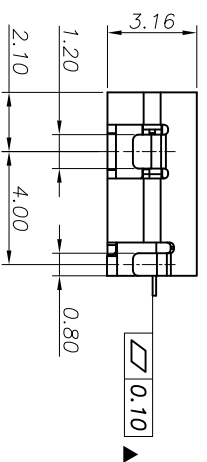
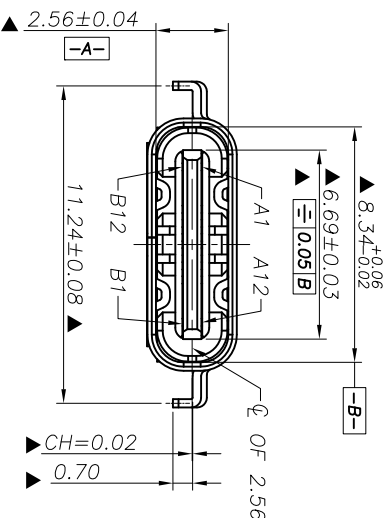


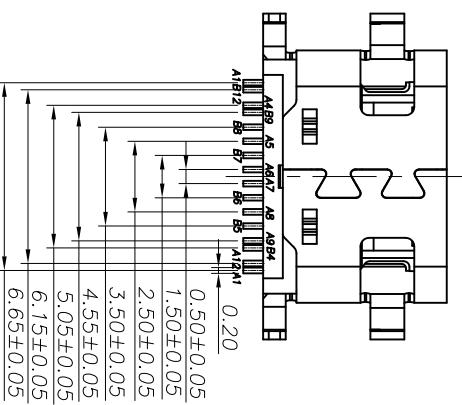
剖視“A-A”  
比例 1:1



Material  
Housing Material: High temperature thermoplastic. UL94V-0, Black  
Contact Terminal: Copper Alloy  
Metallic Shell: Stainless Steel  
Inner Ground Cover Shell: Stainless Steel  
Plating  
Data Contact  
Underplating: 50µ" Min. Nickel  
Contact Plating: Gold Flash  
Solder Area: 80µ" Matte Tin  
Shell  
Metallic Shell: 50µ" Min. Nickel  
Electrical  
Voltage Rating: 20V DC  
Current Rating: Vbus pins collectively 3.00A, GND pins collectively 4.25A, B5 pin 1.25A, Other pins 0.25A per pin  
Contact Resistance: 40mΩ Max Initial 50mΩ Max after test  
Insulation Resistance: 100 MΩ min.  
Dielectric withstanding voltage: 100V AC/Minute  
Mechanical  
Durability: 10,000 cycles  
Mating Force: 5 to 20N  
Unmating Force: 5 to 20N after test  
Environmental and Processing  
Operating Temperature: -40°C to +85°C

ML-16XX-4BVC12

144 1U"  
244 3U"  
344 5U"  
644 30U"



TOLERANCE	APPROVALS	DATE	广东茂连科技有限 GUANGDONG MAOLIAN TECHNOLOGY			
X XX XXX X.XXX	DRAWN NICKLE-SHEN	2019.05.28	UNIT	SIZE	PART No.	REV.
±0.30 ±0.25 ±0.15	CHECKED NICKLE-SHEN	2019.05.28	mm	A4	ML-16XX-4BVC12	A0
ANGULAR ±1° UNLESS OTHERWISE SPECIFIED	APPROVED	PROJECT CODE PHD	SCALE	SHEET	DWG No.	
	CUST DWG		1:1	1 OF 1		