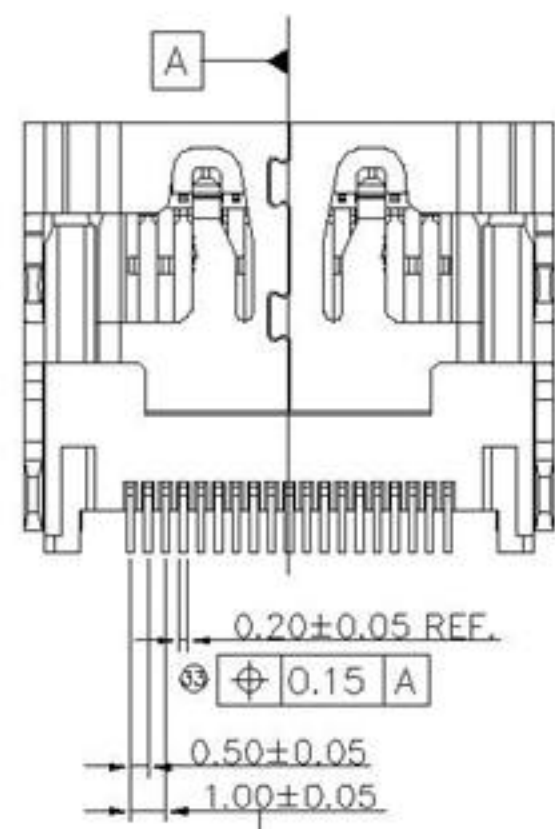
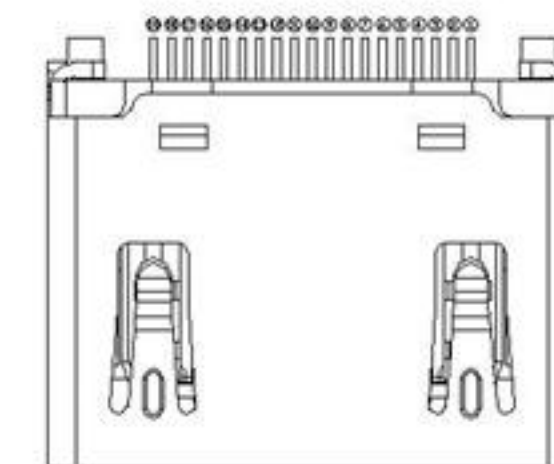
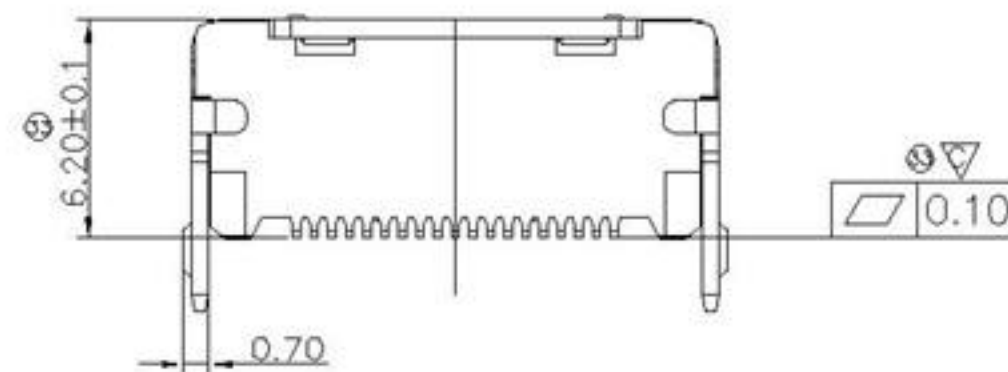
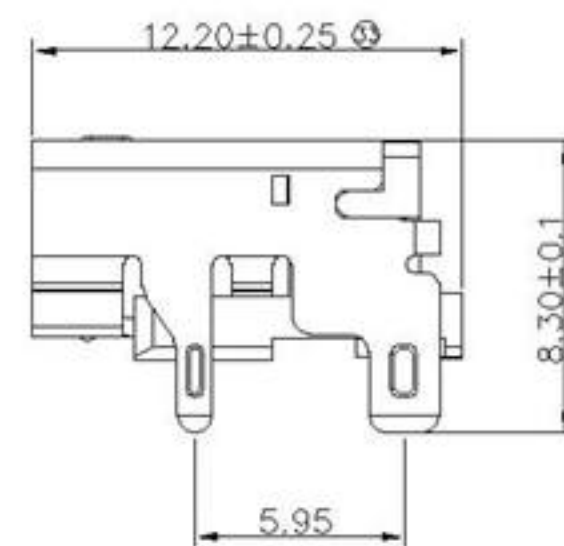
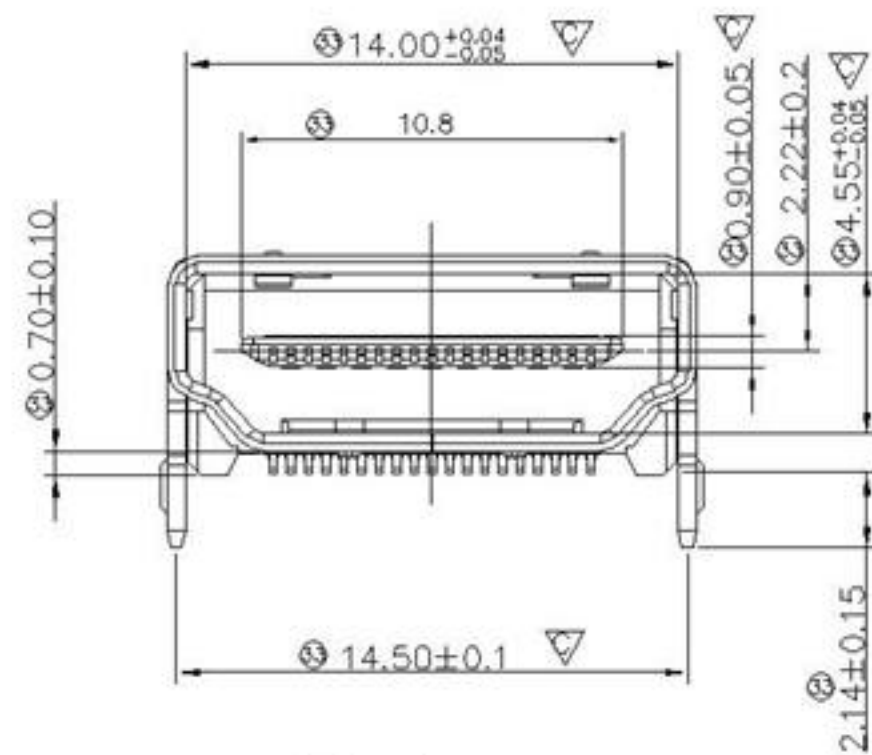


RECOMMENDED PCB LAYOUT  
TOL: ±0.05

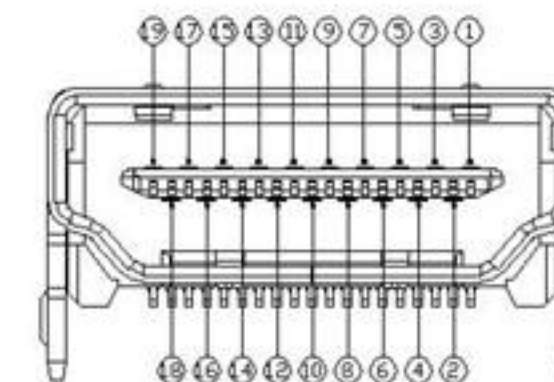
NOTES:

- MATERIALS:  
HOUSING: THERM-PLASTIC+30%GLASS FILLED, BLACK, UL94V-0  
CONTACTS: COPPER ALLOY  
SHELL: COPPER ALLOY
- PLATING:  
SHELL: NICKEL PLATING OVERALL.  
CONTACT: GOLD PLATING OVER NICKEL IN CONTACT,  
NICKEL PLATING OVERALL
- RoHS COMPLIANT
- DIMENSIONS MARKED  $\text{M}$  SHOULD BE MEASURED BY FAI.
- DIMENSIONS MARKED  $\text{V}$  MUST BE CONTROLLED IN QIP.



ML-05H9-1X1N1

- 1: Au 1U"
- 5: Au 15 U"
- 6: Au 30U"



TOLERANCE		APPROVALS		DATE	广东茂连科技有限公司 GUANGDONG MAOLIAN TECHNOLOGY CO. LTD						
X.		DRAWN	NICKLE-SHEN	2019.05.28	MODEL TYPE: HDMI CONNECTOR						
X.X	±0.30	CHECKED	NICKLE-SHEN	2019.05.28							
X.XX	±0.25	APPROVED									
X.XXX	±0.15	DWG TYPE	CUST DWG	PROJECT CODE	PHD	UNIT	mm	SIZE	A4	PART No.	ML-05H9-1X1N1
ANGULAR ±1°		UNLESS OTHERWISE SPECIFIED		SCALE		1:1	SHEET		1 OF 1	DWG No.	REV.
											A0