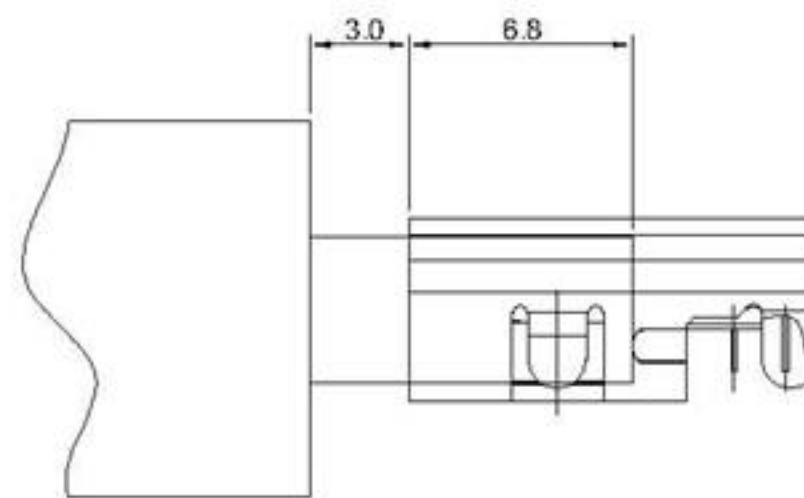
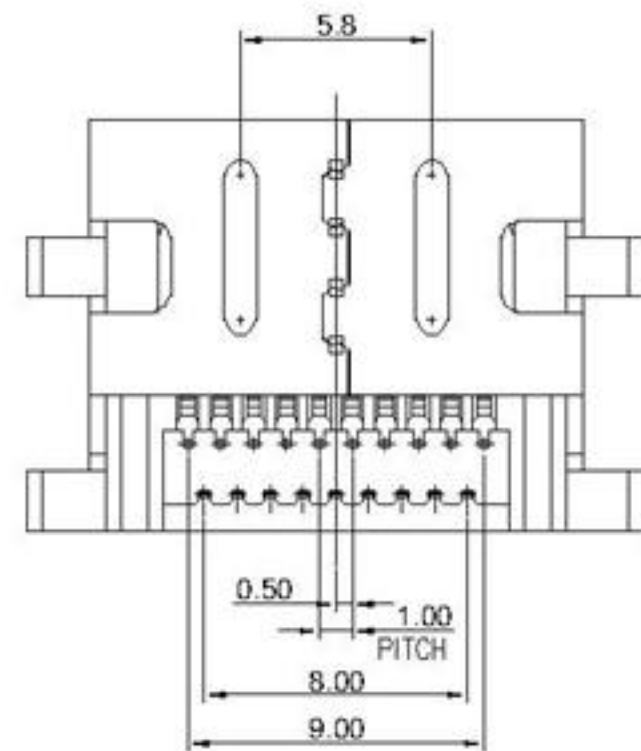
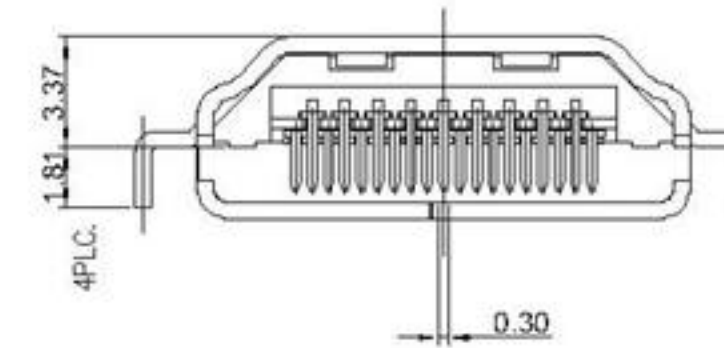
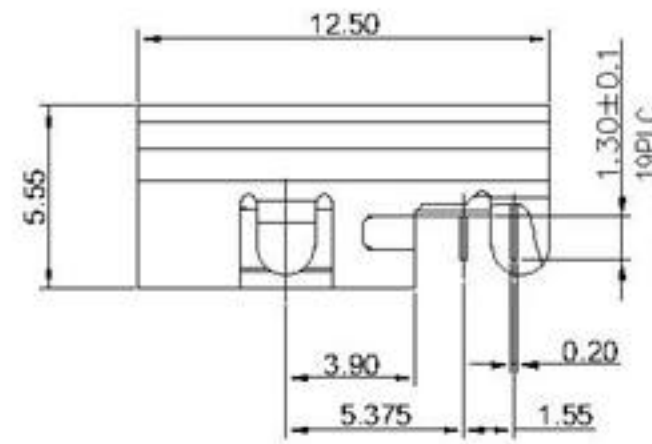
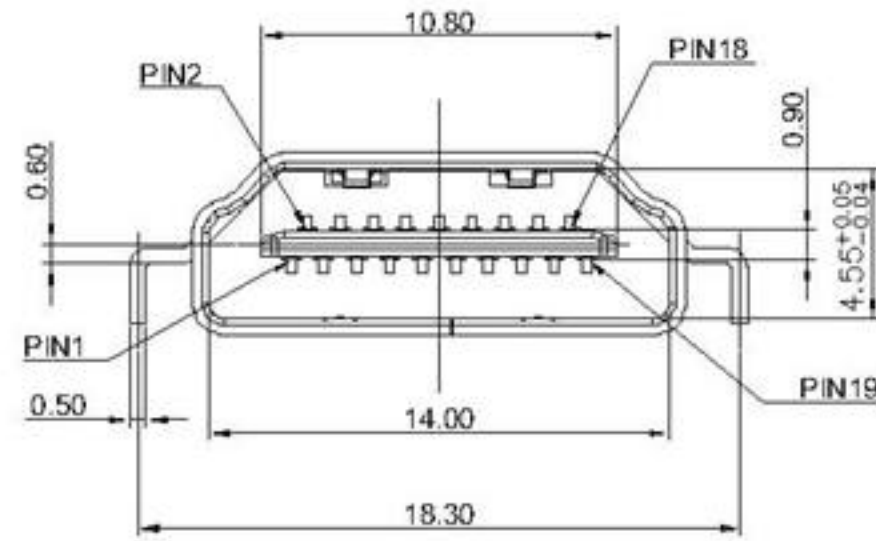


RECOMMENDED P.C.B LAYOUT (THICKNESS=1.2mm)
(COMPONENT SIDE) TOLERANCES ±0.05mm

NOTE:
1.MATERIAL:
HOUSING: THERMOPLASTIC HIGH TEMP WITH 30%GF,UL94V-0.
CONTACT: BRASS T=0.20mm
SHELL: BRASS T=0.50mm
MYLAR: KAPTON TAPE
2.FINISH:
CONTACT: GOLD PLATING ON CONTACT AREA,
MATTE MATTE TIN PLATING ON SOLDER TAILS
100u" MIN. NICKEL UNDERPLATING OVERALL.
SHELL: 40u" MIN. NICKEL PLATING OVERALL.



ML-05H8-1X1N1

1: Au 1U"
5: Au 15U"
6: Au 30U"

| TOLERANCE | APPROVALS | DATE | 广东茂连科技有限公司 GUANGDONG MAOLIAN TECHNOLOGY CO. LTD | | | |
|----------------------------|---------------------|------------------|--|--------------|------------------------|---------|
| X. ±0.30 | DRAWN NICKLE-SHEN | 2019.05.28 | MODEL TYPE: HDMI CONNECTOR | | | |
| X.X ±0.25 | CHECKED NICKLE-SHEN | 2019.05.28 | | | | |
| X.XX ±0.15 | APPROVED | | UNIT mm | SIZE A4 | PART No. ML-05H8-1X1N1 | |
| ANGULAR ±1° | DWG TYPE CUST DWG | PROJECT CODE PHD | SCALE 1:1 | SHEET 1 OF 1 | DWG No. | REV. A0 |
| UNLESS OTHERWISE SPECIFIED | | | | | | |