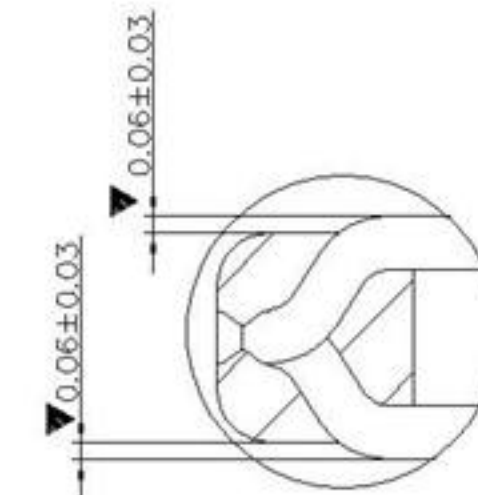
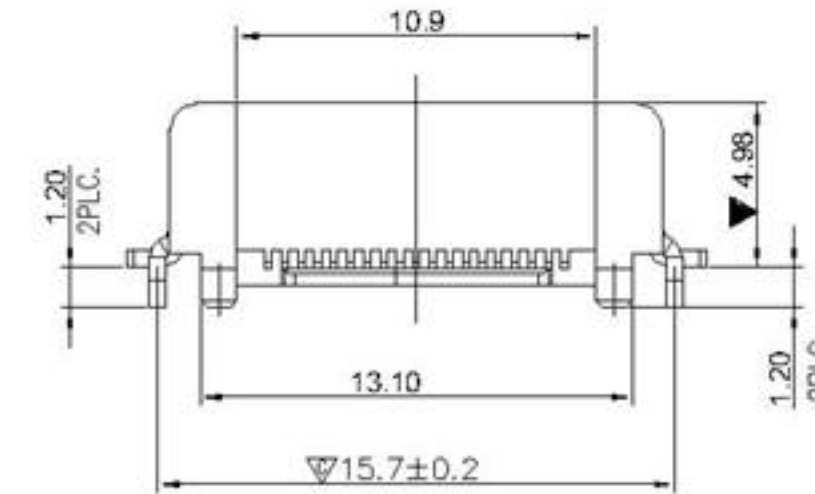
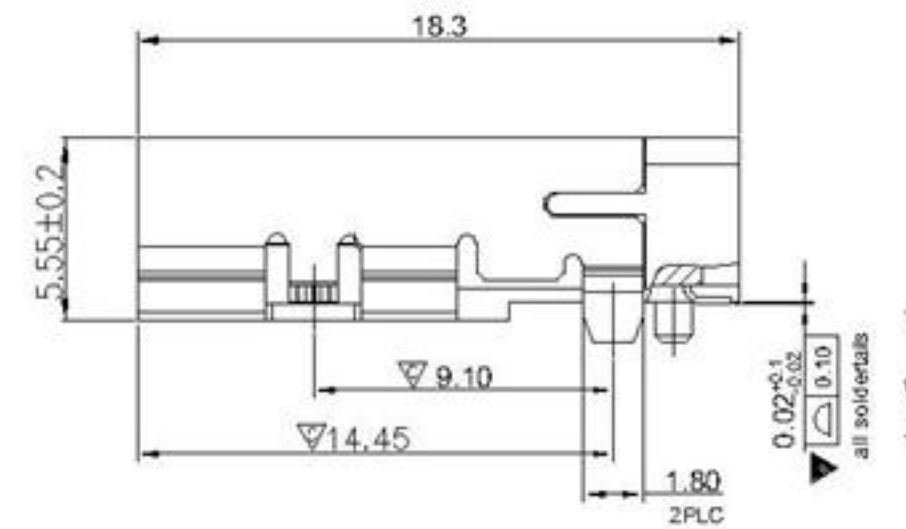
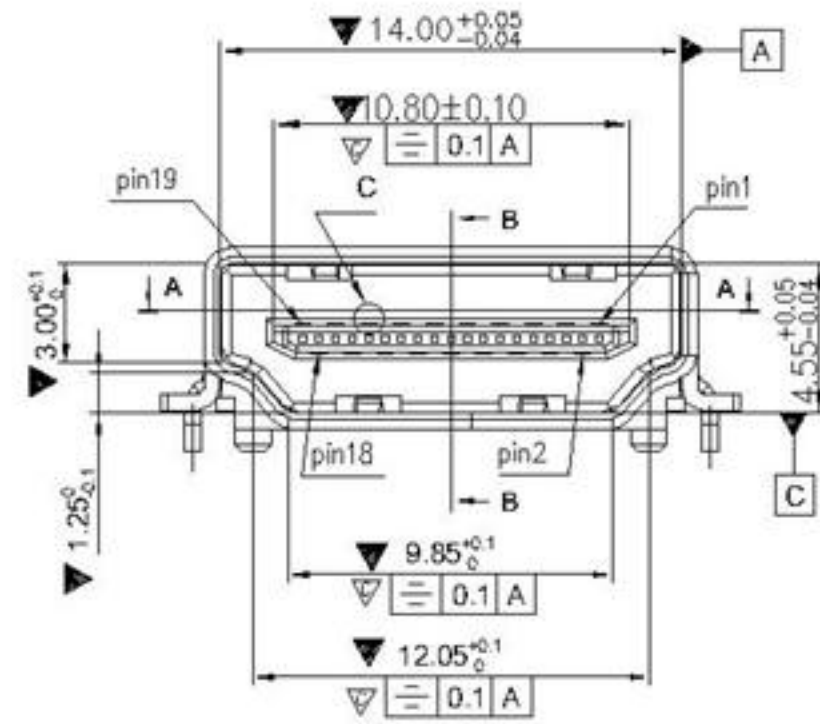


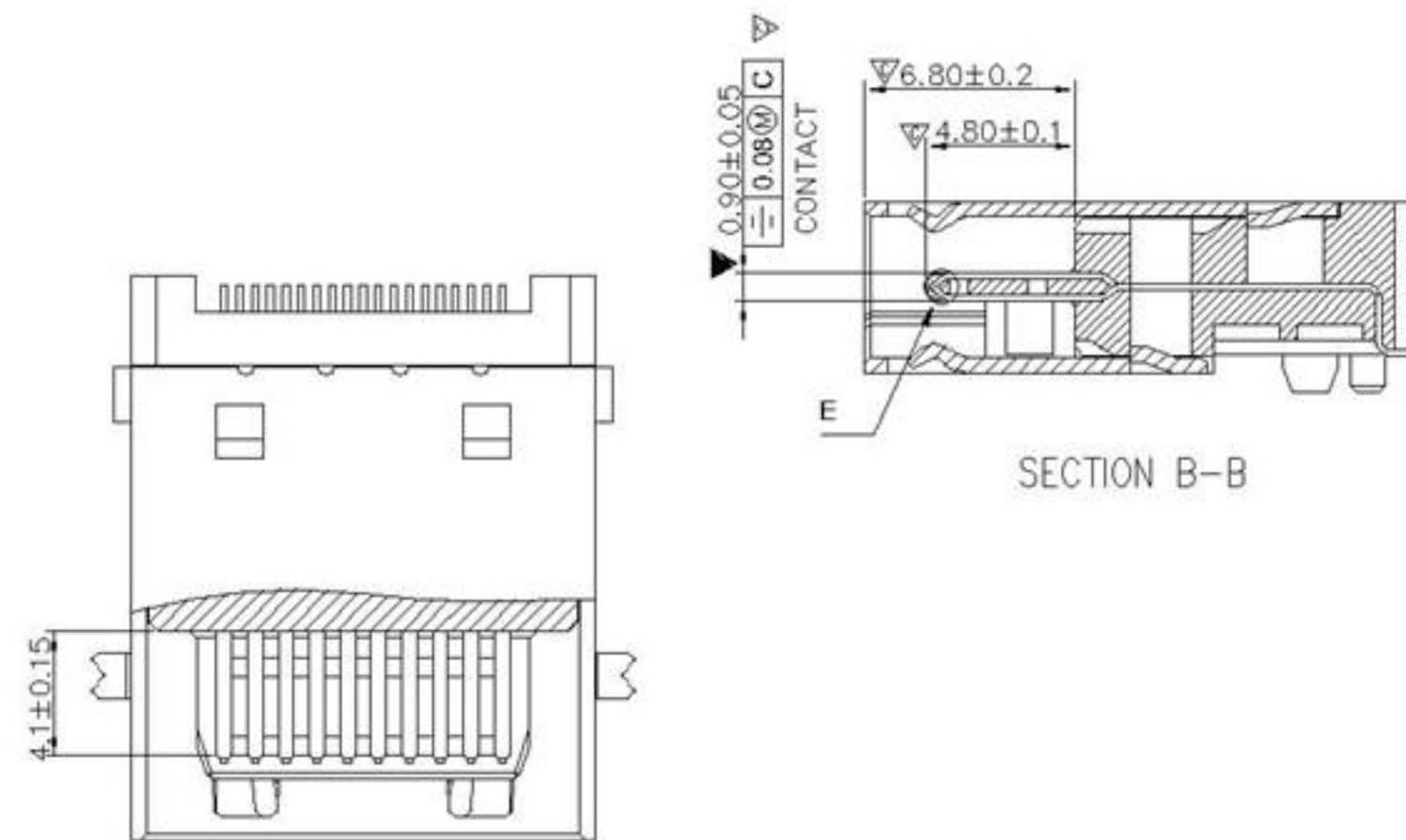
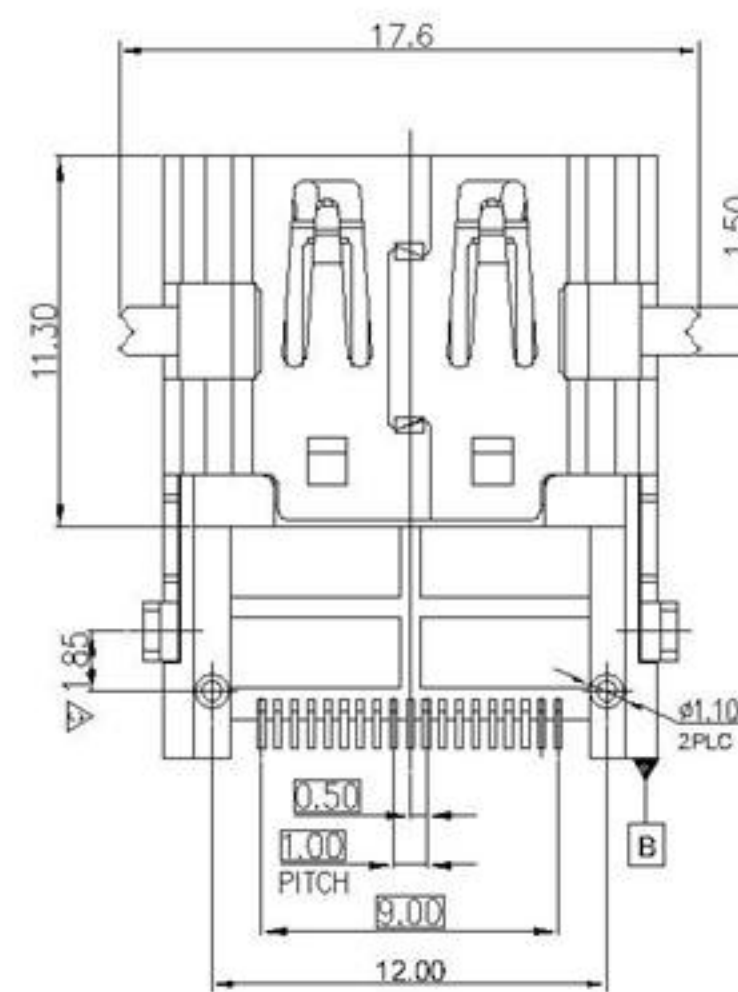
DETAIL C
SCALE: 8:1

NOTE:

- 1.MATERIAL:
HOUSING: THERMOPLASTIC HIGH TEMP WITH 40% GF, UL94V-0.
CONTACT: BRASS T=0.20mm
SHELL: STAINLESS T=0.50mm
- 2.FINISH:
CONTACT: GOLD PLATING ON CONTACT AREA,
MATTE TIN PLATING ON SOLDERTAILS
100u" MIN. NICKEL UNDERPLATING OVERALL.
SHELL: 50~90u" NICKEL PLATING OVERALL.
3. ▼ MAJOR DIMENSION. ▽ CRITICAL DIMENSION



DETAIL E
SCALE: 8:1



SECTION B-B

SECTION A-A

ML-05H7-1X1N1

1: Au 1U"
5: Au 15U"
6: Au 30U"

TOLERANCE		APPROVALS		DATE	广东茂连科技有限公司 GUANGDONG MAOLIAN TECHNOLOGY CO. LTD					
X.		DRAWN	NICKLE-SHEN	2019.05.28	MODEL TYPE: HDMI CONNECTOR					
X.X	±0.30	CHECKED	NICKLE-SHEN	2019.05.28						
X.XX	±0.25	APPROVED			UNIT	mm	SIZE	A4	PART No.	ML-05H7-1X1N1
X.XXX	±0.15	DWG TYPE		PROJECT CODE	SCALE	1:1	SHEET	1 OF 1	DWG No.	REV.
ANGULAR ±1°		CUST DWG		PHD						A0
UNLESS OTHERWISE SPECIFIED										