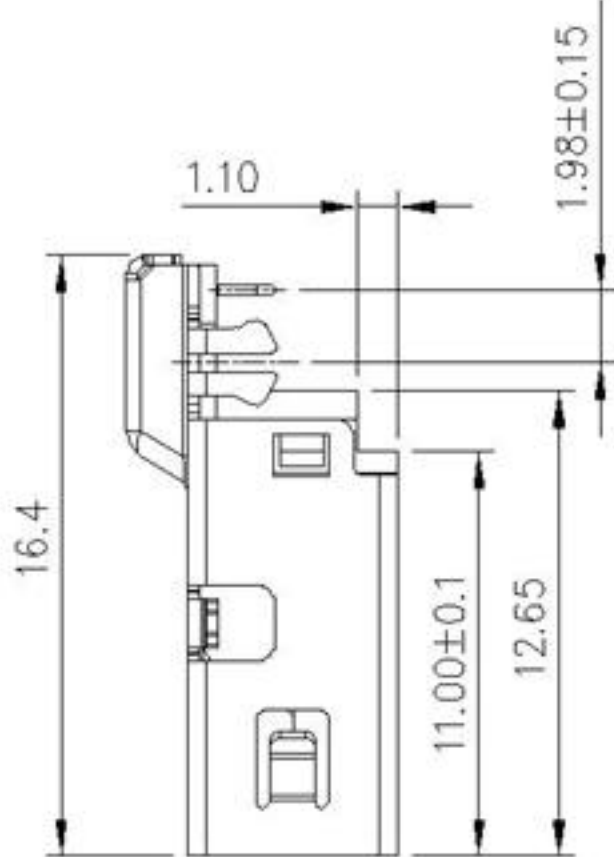
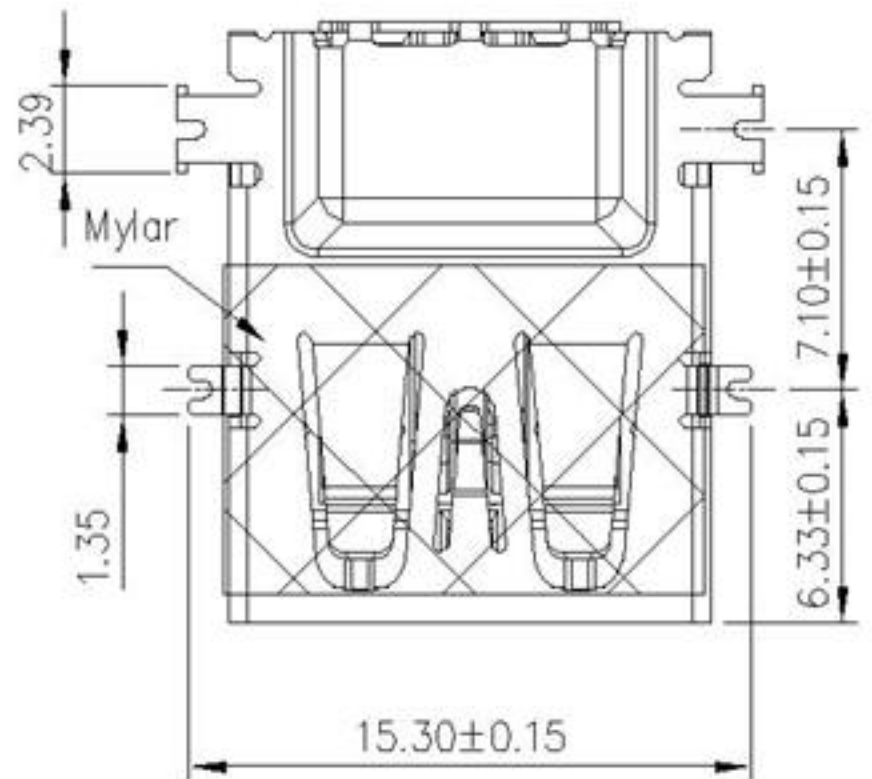
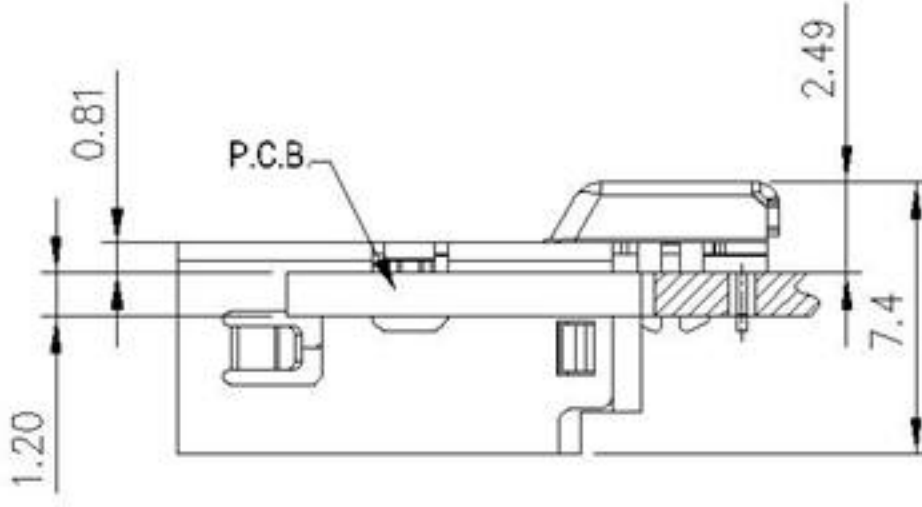
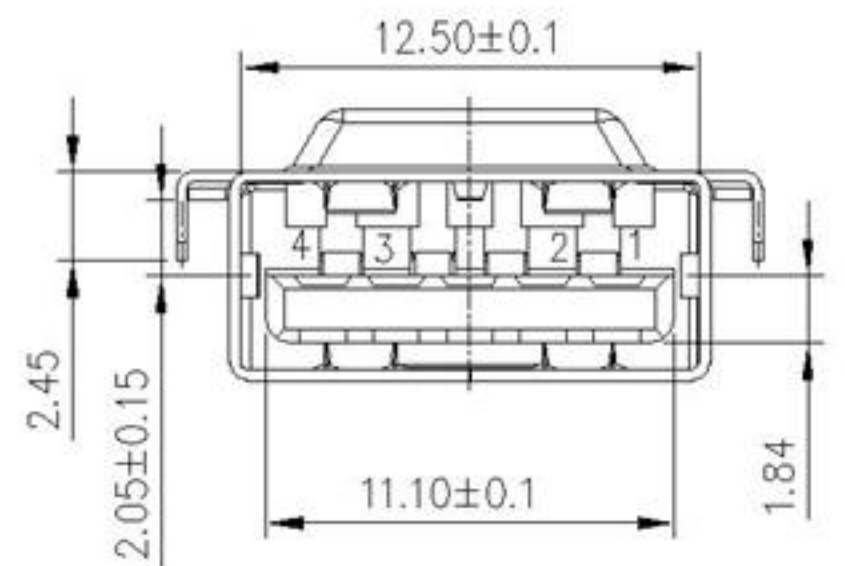


RECOMMENDED P.C.B. LAYOUT (COMPONENT SIDE)
 DEFAULT TOLERANCES: ±0.05; PCB THICKNESS: 1.2mm



Housing Material: LCP UL94V-0, black
 Contact Terminal: Brass
 Metallic Shell: SUS



ML-04XN-4BU05-FS
 S: SUS
 F: Flat
 W: WHITE B: BLACK
 1: Au 1U"
 5: Au 15U"
 6: Au 30U"
 1: PBT
 2: PA6T
 3: PA9T
 4: LCP

TOLERANCE	APPROVALS	DATE	广东茂连科技有限公司 GUANGDONG MAOLIAN TECHNOLOGY CO. LTD			
X. ±0.30	DRAWN NICKLE-SHEN	2019.05.28	MODEL TYPE: USB 2.0 CONNECTOR			
X.XX ±0.25	CHECKED NICKLE-SHEN	2019.05.28				
X.XXX ±0.15	APPROVED					
ANGULAR ±1°	DWG TYPE CUST DWG	PROJECT CODE PHD	UNIT mm	SIZE A4	PART No. ML-04XN-4BU05-FS	
UNLESS OTHERWISE SPECIFIED			SCALE 1:1	SHEET 1 OF 1	DWG No.	REV. A0