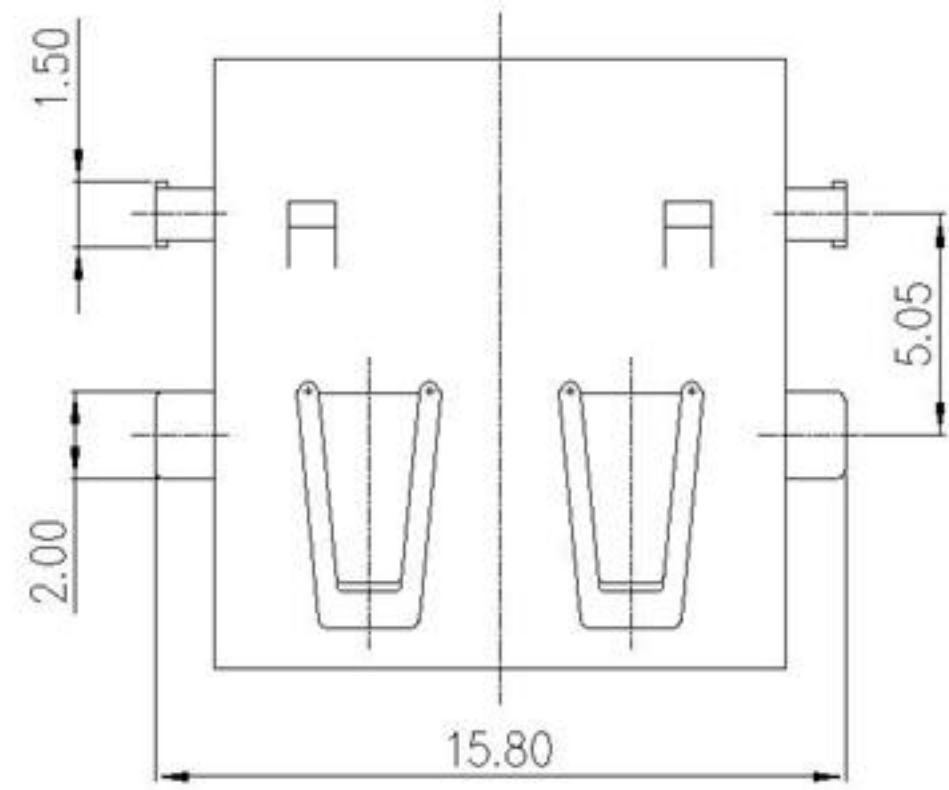
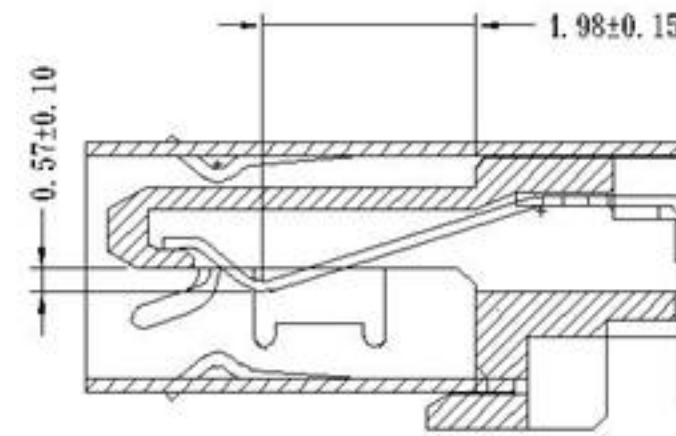


S:Scrolls



F:Flat



Housing Material: LCP 94V-0, black/White
 Contact Terminal: COPPER ALLOY. (T=0.25mm)
 Metallic Shell: SUS

FINISH:
 2-1. CONTACT: UNDER PLATED 50u" MIN NICKEL ALL AREA.
 100u" MIN TIN IN SOLDER TAIL AREA.
 30u" MIN. GOLD PLATED AT CONTACT AREA.
 2-2. SHELL: NICKEL 50u" MIN. PLATING OVERALL.

ENVIRONMENTAL CHARACTERISTICS:
 3-1. OPERATION TEMPERATURE RANGE : -10°C TO +85°C.

ML-04XN-4BU02-XS

S: SUS
 S:Scrolls F:Flat
 W:WHITE B:BLACK
 1: Au 1U"
 5: Au 15 U"
 6: Au 30U"
 1:PBT
 2:PA6T
 3:PA9T
 4:LCP

TOLERANCE		APPROVALS		DATE	广东茂连科技有限公司 GUANGDONG MAOLIAN TECHNOLOGY CO. LTD			
X.		DRAWN	NICKLE-SHEN	2019.05.28	MODEL TYPE: USB 2.0 CONNECTOR			
X.X	±0.30	CHECKED	NICKLE-SHEN	2019.05.28				
X.XX	±0.25	APPROVED			UNIT	SIZE	PART No.	
X.XXX	±0.15	DWG TYPE		PROJECT CODE	mm	A4	ML-04XN-4BU02-XS	
ANGULAR ±1°		CUST DWG		PHD	SCALE	SHEET	DWG No.	REV.
UNLESS OTHERWISE SPECIFIED					1:1	1 OF 1		A0