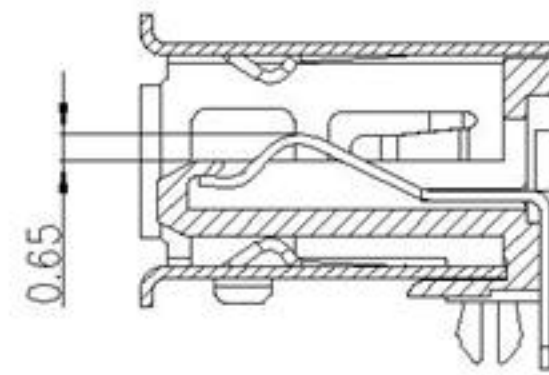
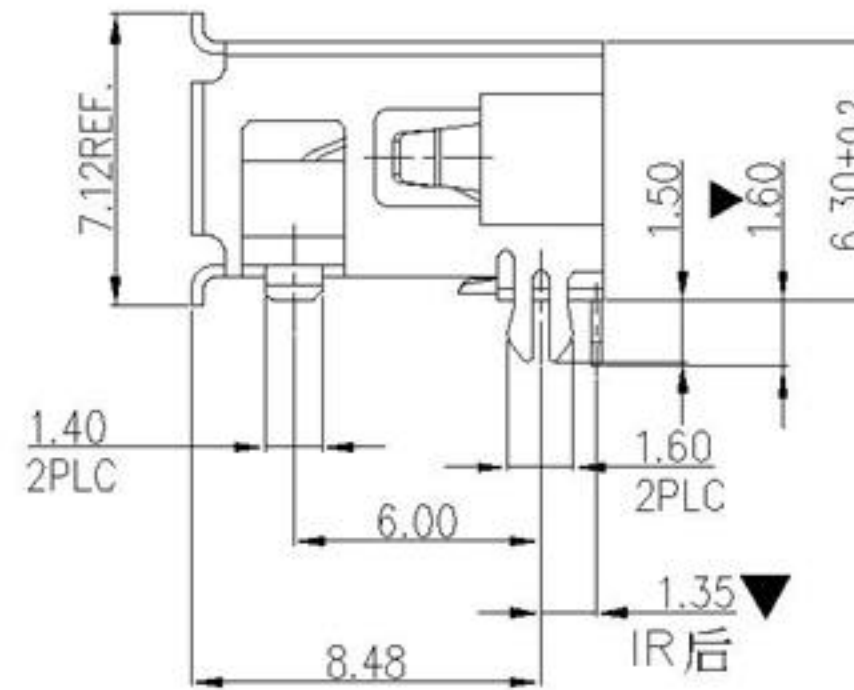
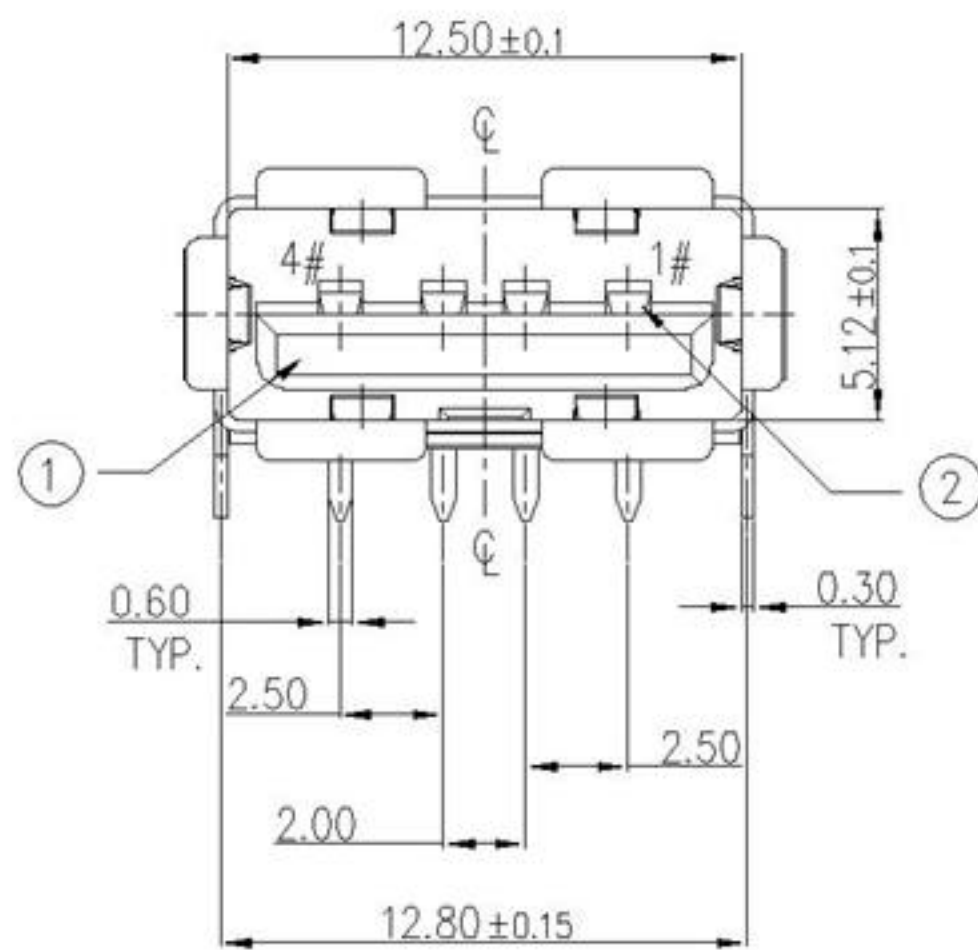


F: Flat

S: Scrolls



Housing Material: PA9T UL94V-0, Black
 Contact Terminal: COPPER ALLOY. (T=0.25mm)
 Metallic Shell: Brass(T=0.30mm)



ML-04XN-3BU06-X5

- 1: Au 1U"
- 5: Au 15 U"
- 6: Au 30U"
- 5: BRASS
- S: Scrolls F: Flat
- W: WHITE B: BLACK
- 1: PBT
- 2: PA6T
- 3: PA9T
- 4: LCP

TOLERANCE		APPROVALS	DATE	广东茂连科技有限公司 GUANGDONG MAOLIAN TECHNOLOGY CO. LTD			
X.		DRAWN		MODEL TYPE: USB 2.0 CONNECTOR			
X.X	±0.30	NICKLE-SHEN	2019.05.28				
X.XX	±0.25	CHECKED					
X.XXX	±0.15	NICKLE-SHEN	2019.05.28				
ANGULAR ±1°		APPROVED		UNIT mm	SIZE A4	PART No. ML-04XN-3BU06-X5	
UNLESS OTHERWISE SPECIFIED		DWG TYPE CUST DWG	PROJECT CODE PHD			SCALE 1:1	SHEET 1 OF 1