

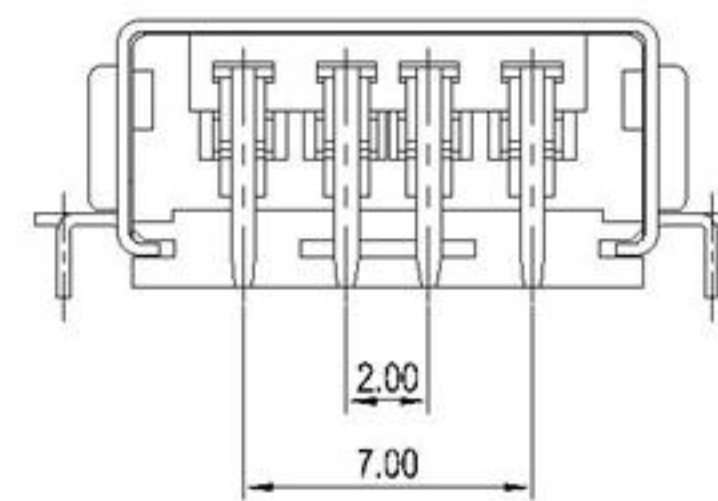
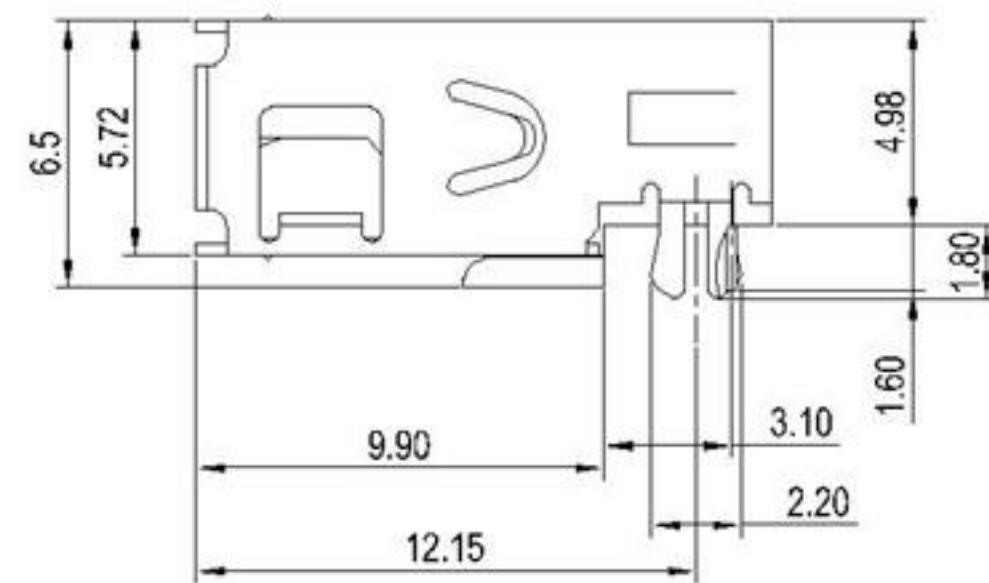
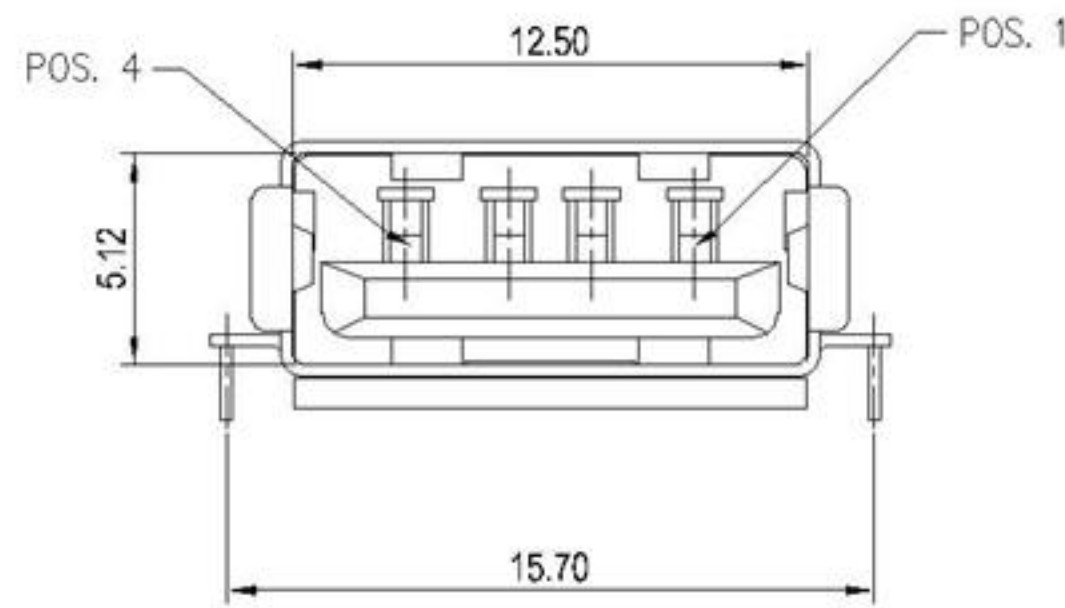
MATERIAL:

Housing Material: PA9T UL94V-0, Black
 Contact Terminal: PHOSPHOR BRONZE (t=0.25mm).
 Metallic Shell: SUS(t=0.30mm).

FINISH:

CONTACT: UNDER PLATED 50u" MIN. NICKEL ALL OVER 100u" MIN. TIN IN SOLDERING AREA GOLD PLATED IN CONTACT AREA.
 SHIELD: N:PLATED WITH 40u" THICKNESS NICKEL OVER 50u" MIN. THICKNESS Cu.

RECOMMENDED P.C.B LAYOUT (THICKNESS=1.2mm)
 (COMPONENT SIDE) P.C.B. TOLERANCE: ±0.05



ML-04XN-3BU04-SS

S: SUS
 S: Scrolls F: Flat
 W: WHITE B: BLACK
 1: Au 1U"
 5: Au 15 U"
 6: Au 30U"
 1: PBT
 2: PA6T
 3: PA9T
 4: LCP

TOLERANCE		APPROVALS		DATE		广东茂连科技有限公司 GUANGDONG MAOLIAN TECHNOLOGY CO. LTD					
X.		DRAWN	NICKLE-SHEN		2019.05.28	MODEL TYPE: USB 2.0 CONNECTOR					
X.X	±0.30	CHECKED	NICKLE-SHEN		2019.05.28						
X.XX	±0.25	APPROVED				UNIT	mm	SIZE	A4	PART No.	ML-04XN-3BU04-SS
X.XXX	±0.15	DWG TYPE		PROJECT CODE	PHD	SCALE	1:1	SHEET	1 OF 1	DWG No.	REV.
ANGULAR ±1°		CUST DWG								A0	
UNLESS OTHERWISE SPECIFIED											