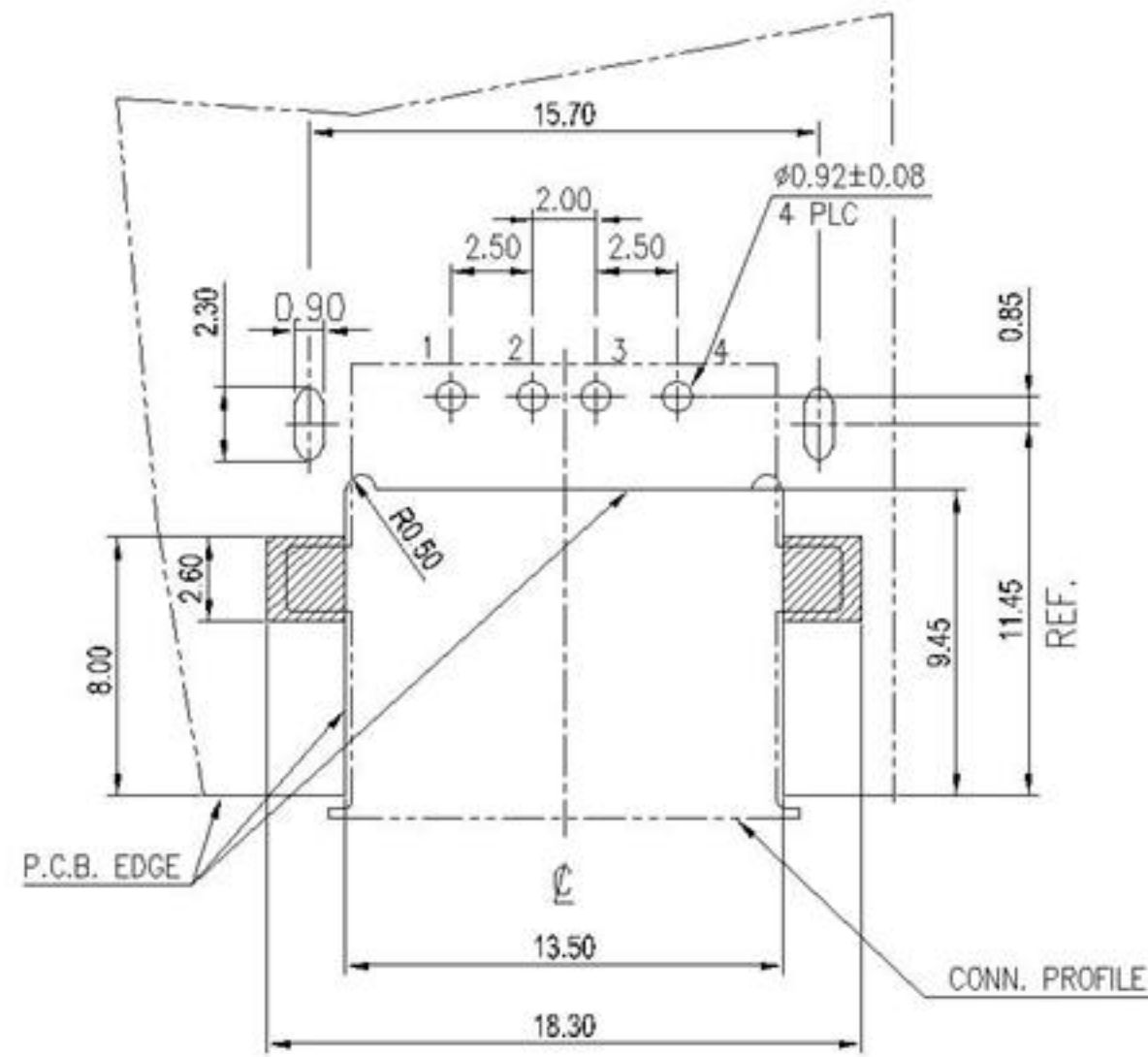
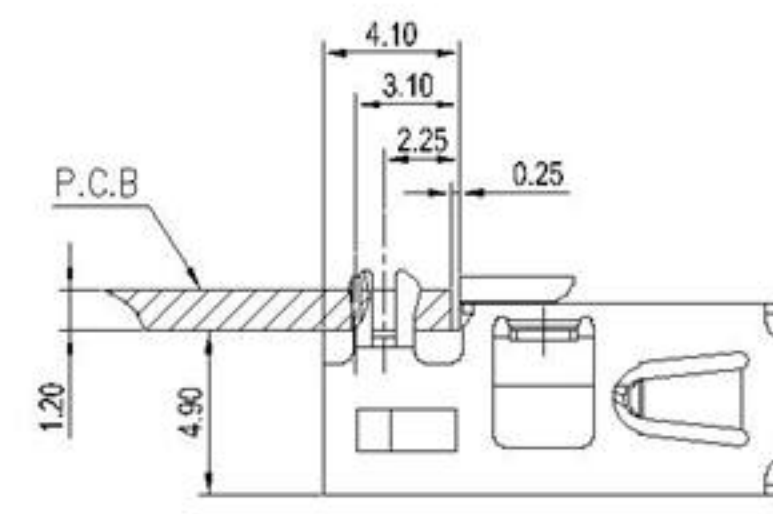


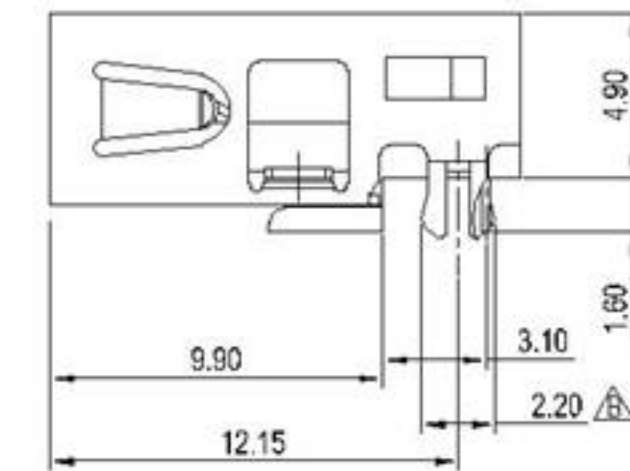
S:Scrolls



RECOMMENDED P.C.B LAYOUT (THICKNESS=1.2mm)
(COMPONENT SIDE) P.C.B. TOLERANCE:±0.05

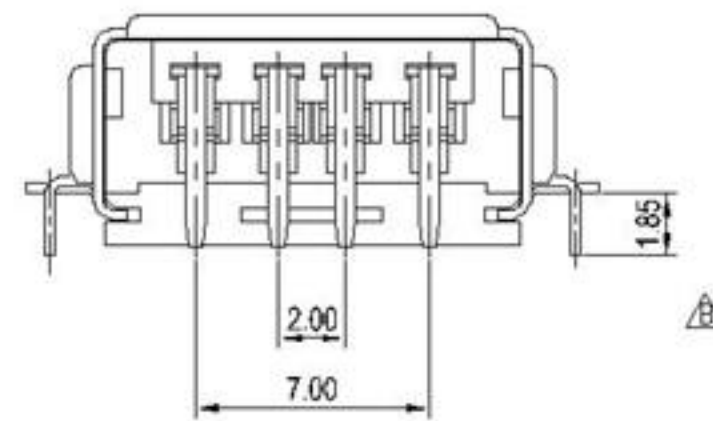
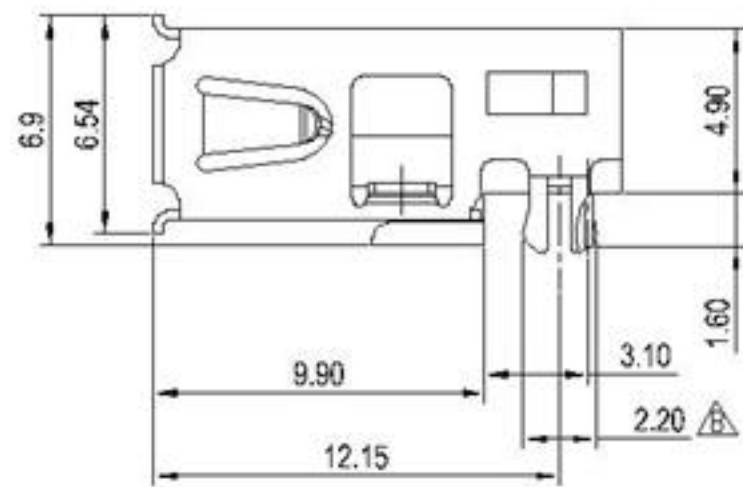
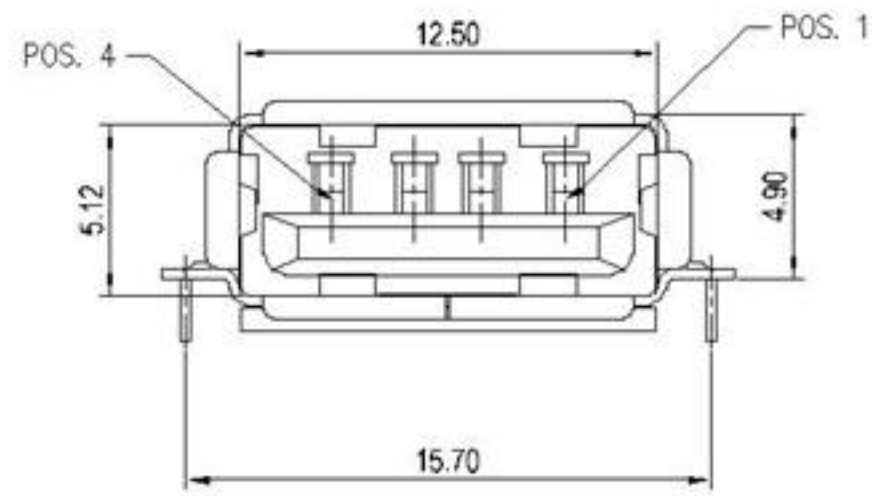


PROPOSAL DRAWING



F:Flat

Housing Material: PA9T UL94V-0, Black
Contact Terminal: PHOSPHOR BRONZE (t=0.25mm).
Metallic Shell: Brass(t=0.30mm).



ML-04XN-3BU01-X5

- 1: Au 1U*
- 5: Au 15 U*
- 6: Au 30U*
- 5: BRASS
- S: Scrolls F: Flat
- W: WHITE B: BLACK
- 1: PBT
- 2: PA6T
- 3: PA9T
- 4: LCP

TOLERANCE	APPROVALS	DATE	广东茂连科技有限公司 GUANGDONG MAOLIAN TECHNOLOGY CO. LTD			
X.	DRAWN	2019.05.28	MODEL TYPE: USB 2.0 CONNECTOR			
X.X ±0.30	NICKLE-SHEN					
X.XX ±0.25	CHECKED	NICKLE-SHEN				
X.XXX ±0.15	APPROVED		UNIT mm		SIZE A4	PART No. ML-04XN-3BU01-X5
ANGULAR ±1°	DWG TYPE	PROJECT CODE	SCALE 1:1		SHEET 1 OF 1	DWG No.
UNLESS OTHERWISE SPECIFIED	CUST DWG	PHD				REV. A0